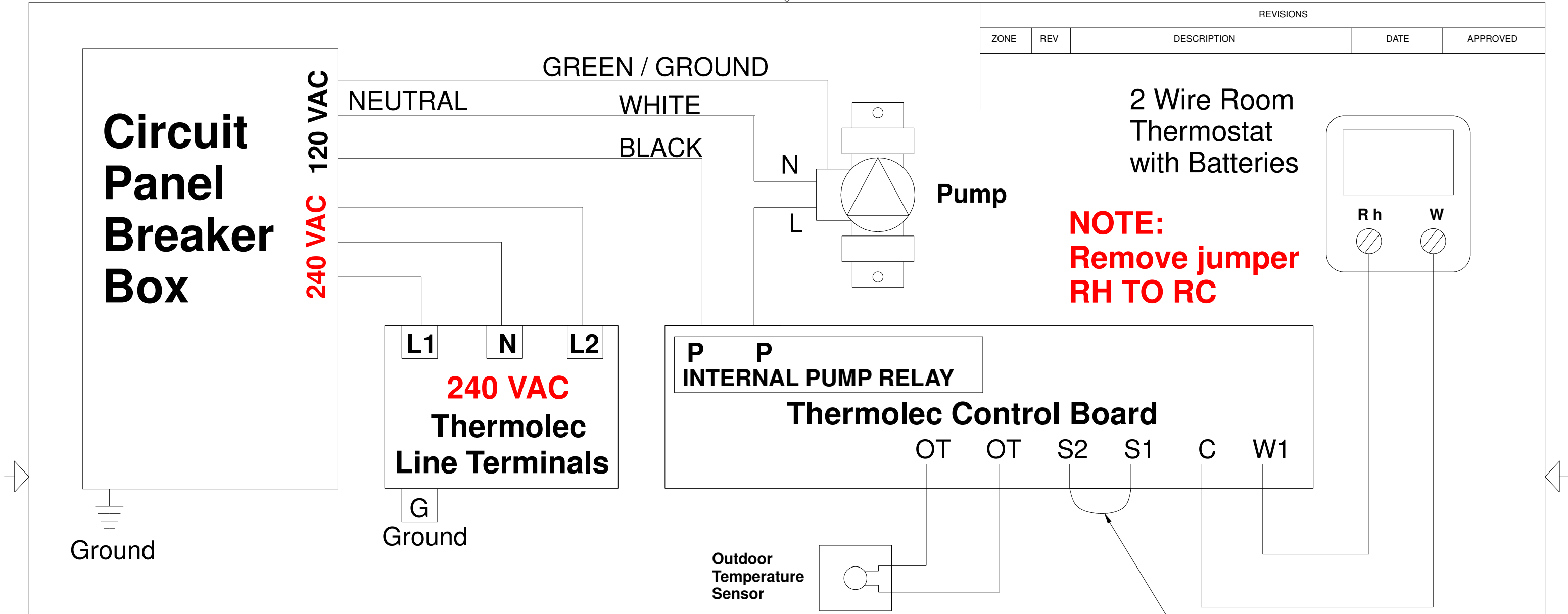


REVISIONS				
ZONE	REV	DESCRIPTION	DATE	APPROVED



**NOTE:**  
Remove jumper  
RH TO RC

IF NOT USING LOAD  
MANAGEMENT CONTROL  
LEAVE JUMPER IN PLACE

For Load  
Management  
Control Contact  
your utility company

- Notes:**
1. All wiring must be in accordance with local electrical wiring codes.
  2. Wiring diagram applies to the following HRC models: HRC-03, HRC-06, HRC-09, HRC-11, HRC-15, HRC-18, and HRC-23.
  3. See Thermolec Owners Manual for:
    - a.) circuit breaker amperage and quantity.
    - b.) outdoor Sensor mounting and function details.
    - c.) management control jumper instructions.
  - 4.) Pump circuit requires 120 VAC at 15 Amps.
  5. Remove jumper RH to RC

 RMS/HRC by Radiant Made Simple™	DRAWN RB CASS	DATE 01-13-23	<b>Radiant Made Simple, RMS</b> <b>RMS and HRC, Single Zone</b> <b>Electrical Wiring Diagram</b>			
	CHECKED K SYKORA	01-13-23				
	QA		SIZE B	FSCM NO.	DWG NO.	REV C
	MFG		SCALE		SHEET	
APPROVED						