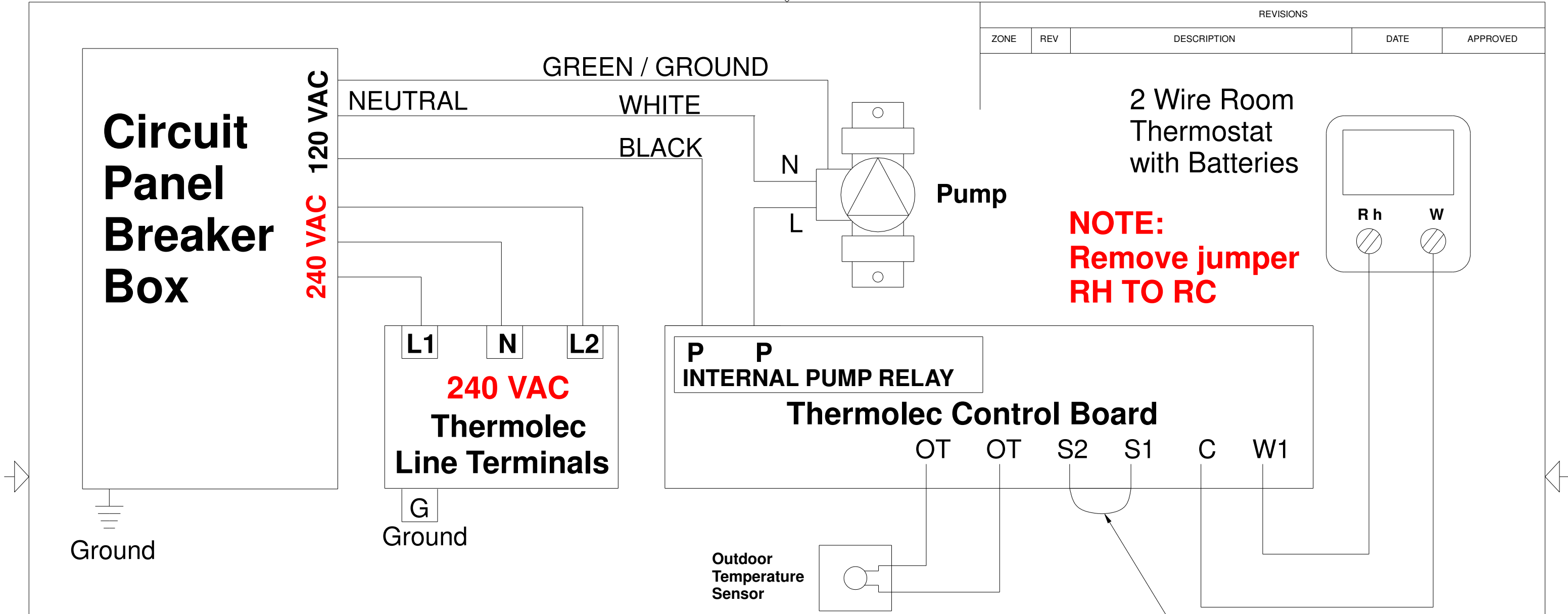


REVISIONS				
ZONE	REV	DESCRIPTION	DATE	APPROVED



NOTE:
Remove jumper
RH TO RC

IF NOT USING LOAD
MANAGEMENT CONTROL
LEAVE JUMPER IN PLACE

For Load
Management
Control Contact
your utility company

- Notes:**
1. All wiring must be in accordance with local electrical wiring codes.
 2. Wiring diagram applies to the following RMS models: RMS-03, RMS-06, RMS-09, RMS-11.
 3. See Thermolec Owners Manual for:
 - a.) circuit breaker amperage and quantity.
 - b.) outdoor Sensor mounting and function details.
 - c.) management control jumper instructions.
 - 4.) Pump circuit requires 120 VAC at 15 Amps.

5. Remove jumper RH to RC

 by Radiant Made Simple™	DRAWN RB CASS	DATE 01-13-23	Radiant Made Simple, RMS RMS and HRC, Single Zone Electrical Wiring Diagram			
	CHECKED K SYKORA	01-13-23				
	QA		SIZE B	FSCM NO.	DWG NO.	REV C
	MFG		SCALE	SHEET		
APPROVED						